

CONNECTINGS



- 1) Center output.
- 2) Rear left output.
- 3) Rear right output.
- 4) Front left output.
- 5) Front right output.
- 6) Center IN/OUT.
- 7) Rear left IN/OUT.
- 8) Rear right IN/OUT.
- 9) Front left IN/OUT.
- 10) Front right IN/OUT.
- 11) Power plug and switch (with fuse).

DETAILS OF FUNCTIONS

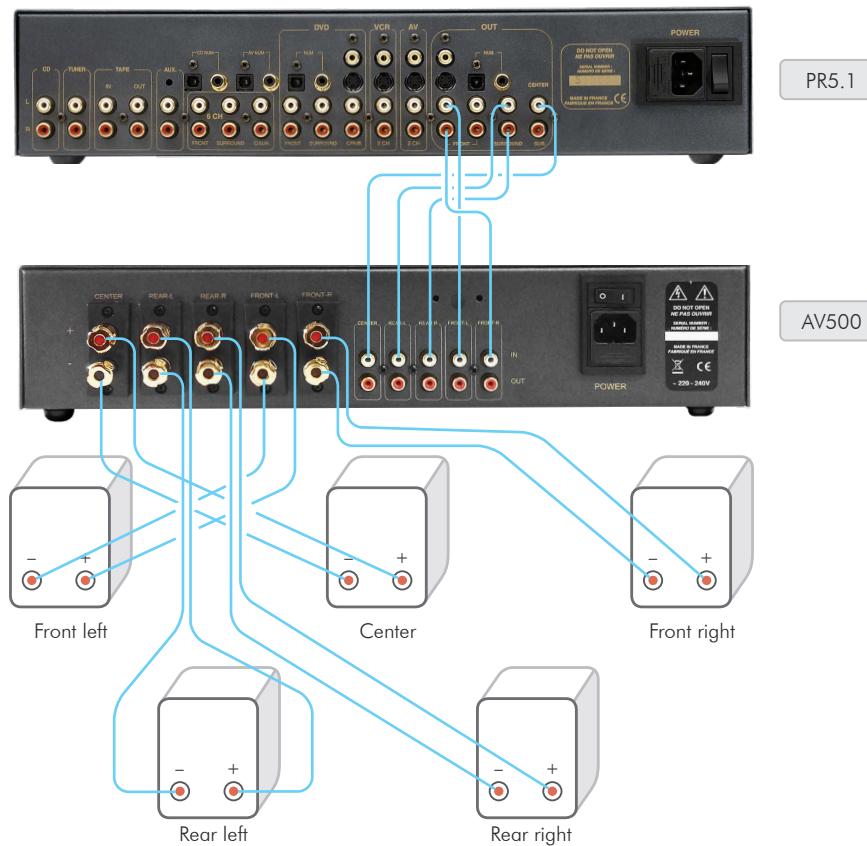


- 12) Power indicator led.



CABLE SCHEMATICS

Example of wiring with 1 PR5.1 and 1 AV500 powering 5 speakers. It is possible to do bi-amplification from an audio/video preamp and 2 AV500s (1 AV500 for the treble, the other for the bass). In this case, use the cinch outputs of the 1st AV500 to feed the 2nd AV500.



## E.C. MARKING

E.C. marking certified the conformity with low tension directive 73/23/CEE, directive CEM 89/336/CEE, and national transpositions.

## WARRANTY CONDITIONS

The guarantee is **two years** period from the date of purchase. We recommend you to ask your dealer to fill the guarantee and to conserve it. The guarantee is only available for appliances that have been used correctly.

## MAINTENANCE

Before any cleaning, switch off your device. Use a soft and dry rag to clean up the appliance. Never use acetone, white-spirit, ammoniac, or any kind of product containing an abrasive agent. **Never try to clean up inside the appliance.**



## TECHNICAL DATA

Power Wrms/ch./8Ω (230v):	5×85 W / 2×100 W
Power Wrms/ch./4Ω (230v):	5×100 W / 2×140 W
Power supply:	2×340 VA
Total of capacitors:	73 000 μF
Number of inputs:	2×5
Switch OFF consumption:	0 W
ON consumption:	15 W - 550 W
Input impedance:	47 kΩ
Sensitivity:	from 1,58 V to 1,77 V
Signal/Noise ratio:	100 dB
Distortion at 1 kHz:	0,05% (10 W)
Frequency response:	5 Hz – 200 kHz
Rising time:	1,3 μs
Dimensions:	440×291×95 mm
Weight:	12 Kg

(Data subject to change).



## CAUTIONS

- **Do not make any connections when your device is powered on.**
- Put your amplifier in a dry and well-ventilated place, far from a source of heat.
- Avoid putting something on your amplifier.
- Strictly respect polarity ⊕ & ⊖, as well as the left and right connections.
- Avoid any short-cut.
- Do not plug-in two speakers in parallel on the same output.



## ADVISES

- To optimize the performance of your device, you should switch it on at least half an hour before any listening, the time for the power stage to reach its ideal working temperature.
- Your device will give you optimal listening quality after this time-lapse.
- Between two uses, it is, therefore, preferable to let the device on so that it remains at its optimum temperature.
- At night or when you leave your home, it is best to use the main switch to turn off the device.
- To optimize the sound quality of your system, we recommend that you choose good-quality connection cords. Do not hesitate to ask your specialist dealer for advice.
- Your amplifier is equipped with a temporized switch on. A relay protects loudspeakers on the output power stage from over-voltage.

*You have just bought an amplifier with exceptional audiophile performance. We really thank you for your confidence in our products. To get the best part of your amplifier, please read carefully this manual.*



YOU WILL FIND  
ENCLOSED

- A 5 channel power amplifier.
- One power lead.
- This manual with the certificate of guarantee.

Latest update: 10th June 2024, 15:00

ATOLL ELECTRONIQUE®  
*est une marque française qui conçoit, fabrique et commercialise  
l'ensemble de ses produits.*





WARRANTY FORM ~ AV500 MODEL

To present to your dealer with the invoice when returning back the appliance:

ATOLL ELECTRONIQUE®  
Bd des Merisiers  
50370 BRECEY  
FRANCE

Date of purchase:

Place of purchase:

Buyer signature:

Dealer Stamp

# OWNER'S MANUAL

## AV500

5 CHANNEL  
POWER AMPLIFIER



.....  
[www.atoll-electronique.com](http://www.atoll-electronique.com)  
.....